

HUBERLAB. AG
Industriestrasse 123
4147 Aesch

T 061 717 99 77
F 061 711 93 42

www.huberlab.ch
info@huberlab.ch

HUBERLAB.

committed to science



memmert
Experts in Thermostatics

Incubators

PERFECTLY COORDINATED. PERFECTLY CONTROLLED.



INCUBATOR I

CO₂ INCUBATOR INCOmed

COMPRESSOR-COOLED INCUBATOR ICP

PELTIER-COOLED INCUBATOR IPP

STORAGE COOLED INCUBATOR IPS

100% ATMOSAFE. MADE IN GERMANY.

www.memmert.com | www.atmosafe.net



Stable. Safe. Sensitive.

Memmert incubators for microbiology.
Energy efficient, precise, 100% AtmoSAFE.

Even slight temperature deviations in the working chamber of an incubator may cause a test to fail. For this reason, the heating and control system of Memmert incubators are perfectly adapted to each other. During heating up and cooling down as well as in running operation, all appliances precisely keep the desired parameters within the smallest tolerance limits. Not only at one measuring point, but in the entire working chamber. Each individual Memmert incubator complies with the strict requirements of DIN 12880:2007-05 and is equipped with a maximum of safety functions. Each individual Memmert incubator is 100% AtmoSAFE.



INCUBATOR I

PAGE 4 TO 5

TECHNICAL DATA

PAGE 6 TO 7

Microbiological tests, colony counts, virology, toxicology

CO₂ INCUBATOR INCOmed

PAGE 8 TO 9

TECHNICAL DATA

PAGE 10 TO 11

Cultivation of cells or tissue, in-vitro fertilisation, gene expression

COMPRESSOR-COOLED INCUBATOR ICP

PAGE 12 TO 13

TECHNICAL DATA

PAGE 14 TO 15

Microbiological tests, colony counts, virology, toxicology,
cultivation above and below room temperature, alternate stability tests

PELTIER-COOLED INCUBATOR IPP

PAGE 16 TO 17

TECHNICAL DATA

PAGE 18 TO 19

Protein crystallography, microbiological tests, colony counts,
virology, toxicology, cultivation above and below room
temperature, alternate stability tests

STORAGE COOLED INCUBATOR IPS

PAGE 20 TO 21

TECHNICAL DATA

PAGE 22 TO 23

Microbiological tests, cultivation above and below room temperature

SOFTWARE FOR MODELS

U, UF TS, UNpa, S, I, ICP, IPP, IPS, HPP, ICH PAGE 24

AtmoCONTROL

OPTIONS AND ACCESSORIES

PAGE 24 TO 26

Available for all products

FEATURES OF MODEL VARIANTS

PAGE 27

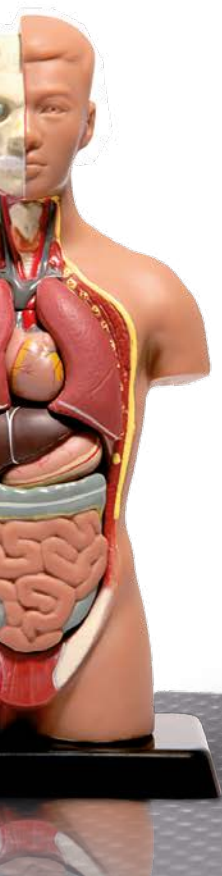
SingleDISPLAY and TwinDISPLAY

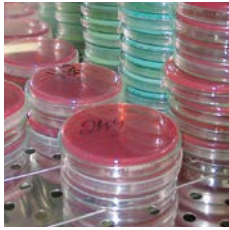


Incubator IN and IF with SingleDISPLAY
Incubator INplus and IFplus with TwinDISPLAY
Natural convection or forced air circulation
AtmoCONTROL software

Model sizes:
30 / 55 / 75 / 110 / 160 / 260 / 450 / 750
+30 °C to +80 °C

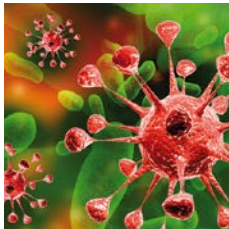
INCUBATOR I Memmert incubators I are at home in the world of research, medicine, pharmaceuticals and food technology. Organic chamber loads require gentle heating. For this reason, the heating and control system are especially optimised for low temperatures of up to +80 °C. To prevent temperature overshoots, temperature is increased within a very narrow control range and kept exactly at the setpoint value. As required, the models IN with natural convection or IF with forced air circulation are available.





As little air circulation as possible in the incubator

Forced air convection may destroy the protective layer from moist air that is generated during incubation over the samples. This would lead to dehydration of the culture. In a Memmert incubator, the perfect combination of all-round surface heating and temperature control system ensures that incubation generally takes place without forced air circulation. Provided the chamber is fully loaded and forced air circulation is required, it can be precisely adjusted in 10 % steps from 0 to 100 %.

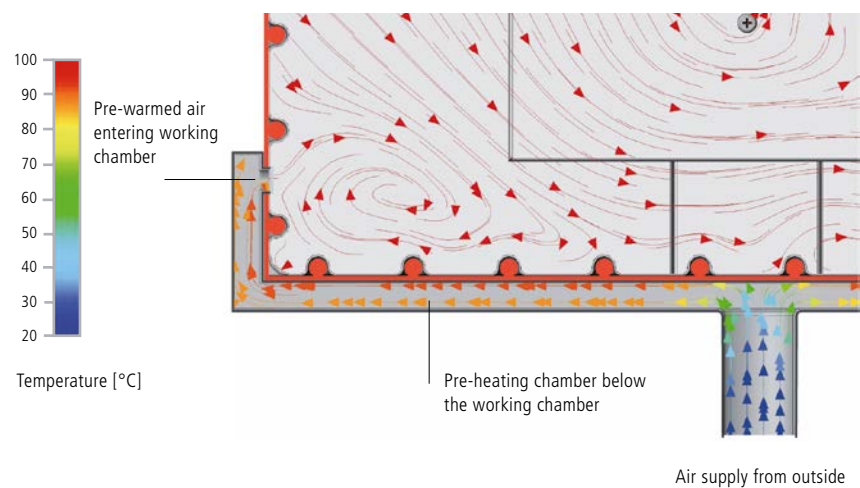


Sterilisation

The chamber of the incubators INplus and IFplus, including all installations and sensors, can be sterilised at +160 °C in a 4-hour programme to guarantee optimum hygiene.

Fresh air is preheated

Temperature deviations caused by fresh air can influence sample characteristics or prolong drying. In Memmert incubators, the fresh air is therefore fed through a pre-heating chamber and seamlessly introduced into the working chamber.



Intended use as a medical device:

The intended use of incubators INplus/IFplus is warming of rinsing solutions and infusions. IF (with extended overtemperature protection – option A6) and IFplus are also accredited for warming non-sterile cloths and blankets.

INCUBATORS I

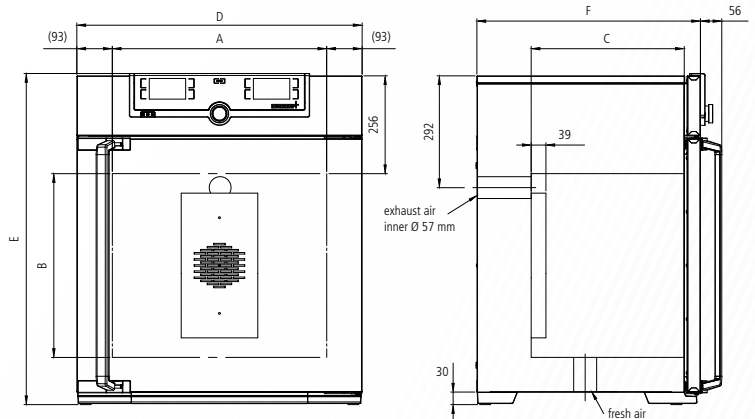
according to DIN 12880:2007-05, EN 61010-1 (IEC 61010-1), 61010-2-010
Standard units are safety-approved and bear the test marks:



Standard equipment

- Interior: Stainless steel, material 1.4301 (ASTM 304) with all-round deep-drawn ribs to integrate the large-area heating with ceramic-metal sheath
- Internals: Stainless steel grids (size 30 and 55: 1, size 75 to 750: 2)
- Housing: Textured stainless steel, rear zinc-plated steel, intuitively operated SingleDISPLAY or TwinDISPLAY (TFT colour display) with touchscreen; inner glass door, outside fully insulated stainless steel door (from size 450 two leaves)
- Fresh air: Admixture of pre-heated fresh air by electronically adjusted airflap
- Connection: Mains cable with plug (German type)
- Installation: 4 feet; size 450 and 750 mounted on lockable castors
- Interfaces:

Ethernet LAN	USB (only TwinDISPLAY)
---------------------	-------------------------------



Model sizes/Description			30	55	75	110	160	260	450	750	
Stainless steel interior	Volume	approx. l	32	53	74	108	161	256	449	749	
	Width	(A) mm	400	400	400	560	560	640	1040	1040	
	Height	(B) mm	320	400	560	480	720	800	720	1200	
	Depth (less 39 mm for fan)	(C) mm	250	330	330	400	400	500	600	600	
	Stainless steel grids (standard equipment)	number	1			2					
	Max. number of grids/shelves	number	3	4	6	5	8	9	8	14	
	Max. loading per grid/shelf	kg	20							30	
	Max. loading of chamber	kg	60	80	120	175	210	300			
Textured stainless steel exterior	Width	(D) mm	585	585	585	745	745	824	1224	1224	
	Height (size 450, 750 with castors)	(E) mm	704	784	944	864	1104	1183	1247	1726	
	Depth (without door handle), door handle + 56 mm	(F) mm	434	514	514	584	584	684	784	784	
Further data	Electrical load at 230 V, 50/60 Hz	approx. W	1600	1000	1250	1400	1600	1700	1800	2000	
	Electrical load at 115 V, 50/60 Hz	approx. W	1600	850	1100				1500	1800	
	Working-temperature range	°C	min. 5 (IN/INplus) 10 (IF/IFplus) above ambient temperature up to +80								
	Setting temperature range	°C	+20 to +80								
	Setting accuracy	°C	0.1								
Packing data	Net weight	approx. kg	48	57	66	76	96	110	161	217	
	Gross weight (packed in carton)	approx. kg	64	76	85	101	122	161	227	288	
	Width	approx. cm	66	73	73	83	83	93	133	133	
	Height	approx. cm	89	95	113	105	130	138	144	191	
	Depth	approx. cm	65	67	67	80	80	93	105	105	

Order No. Incubators

- I = Incubator
- N = Natural convection
- F = Forced convection
- plus = Model with TwinDISPLAY

IN30	IN55	IN75	IN110	IN160	IN260	IN450	IN750
IN30plus	IN55plus	IN75plus	IN110plus	IN160plus	IN260plus	IN450plus	IN750plus
IF30	IF55	IF75	IF110	IF160	IF260	IF450	IF750
IF30plus	IF55plus	IF75plus	IF110plus	IF160plus	IF260plus	IF450plus	IF750plus

Options	30	55	75	110	160	260	450	750
Voltage 115 V, 50/60 Hz						X2		
Extended overtemperature protection by additionally integrated Pt100 sensor for independent temperature monitoring for models IN/IF						A6		
Chamber modification for the application of reinforced perforated stainless steel shelves or stainless steel grids (bearing rails mounted in the working chamber) – includes replacement of 2 standard grids by 2 reinforced grids				–			K1	
Interior lighting for observing the load						R0		
Interior socket can only be ordered with limited temperature range up to max. +70 °C, ampacity 230 V/2.2 A, can be switched off with the On/Off switch, cannot be switched individually, moisture tight IP68 (only with SingleDISPLAY)						R3		
Entry port, 23 mm clear diameter, for introducing connections at the side, can be closed by flap and silicone stopper, standard positions						F0 F1 F2 F3		
Entry port, 23 mm clear diameter, can be closed by flap, in special positions (please, state location)						F4 F5 F6		
Entry port, 14 mm clear diameter, can be closed by flap, in special positions in the back wall (please, state location)						D6		
Entry port, 38 mm clear diameter, can be closed by flap, in special positions in the back wall (please, state location)						F7		
Entry port, 57 mm clear diameter, can be closed by flap, in special positions in the back wall (please, state location)						F8		
Entry port, 100 mm clear diameter, can be closed by flap, in special positions in the back wall (please, state location)						F9		
4 – 20 mA current loop interface (0 to 90 °C \pm 4 to 20 mA) Temperature controller, actual value Temperature of a Pt100 sensor positioned flexibly in chamber for external temperature monitoring (max. 1 SingleDISPLAY, max. 3 TwinDISPLAY)						V3 V6		
Fan speed monitoring with switching off the heating and with alarm in case of failure optional only for IFplus						V4		
Works calibration certificate for 3 temperatures: +37 °C, +52 °C, +70 °C Standard works calibration certificate (measuring point chamber centre) at +37 °C						D00126		

Accessories	30	55	75	110	160	260	450	750
Stainless steel grid (standard equipment)	E28884	E20164		E20165		E28891	E20182	
Additional reinforced stainless steel grid, max. loading 60 kg; from size 450 with guide bars and fixing screws (only in connection with option K1)		–		E29767		E29766	B32190	
Perforated stainless steel shelf	B29727	B03916		B00325		B29725	B00328	
Additional reinforced stainless steel shelf, max. loading 60 kg; with guide bars and fixing screws (only in connection with option K1)				–			B32191	
Stainless steel slide-in drip tray, 15 mm rim (may affect the temperature distribution) – cannot be used in connection with option K1	E02070	E02072		E02073		E29726	E02075	
Max. loading per slide-in drip tray (kg)		1,5		3		4	8	
Stainless steel bottom drip tray, 15 mm rim (may affect the temperature distribution) – cannot be used in connection with option K1	B04356	B04358		B04359		B29722	B04362	
Max. loading per bottom drip tray (kg)		1,5		3		4	8	
Wall bracket for wall mounting	B29755	B29756	B29757	B29758	B29759		–	
Guarantee extension by 1 year			GA1Q5				GA2Q5	



CO₂ Incubator INCOmed
"Celsius" standard software

Model sizes: 108 / 153 / 246

+20 °C to +50 °C

Humidity 88 to 97 % rh

CO₂ content up to 10 %

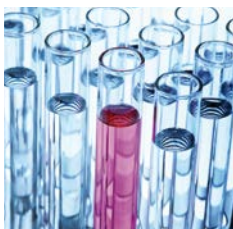
Humidity 40 to 97 % rh (humidity module)

CO₂ content up to 20 % (CO₂ module)

O₂ content between 1 and 20 % (O₂ module)

CO₂ INCUBATOR INCOmed For cell cultivation and especially for in-vitro fertilisation, the precision and reliability of CO₂ incubators are of crucial importance. During cultivation, the slightest deviation in the CO₂ atmosphere, temperature or humidity can influence cell development. For this reason, Memmert has subjected its CO₂ incubators to a comprehensive evaluation process for their recognition as medical devices. The classification as class IIa medical device confirms that all Memmert CO₂ incubators INCOmed comply with the basic safety requirements of the European Medical Devices Directive 93/42/EEC. The interior chamber including all installations and sensors can be sterilised at +160 °C in a 4-hour programme.





Customised models for every application

As much function as needed, as much customisation as possible. Put together your own customised INCOmed from 8 additional modules.

- **COMFORT MODULE:** Two gas connections with quick release connectors, automatic switch-over between gas cylinders (a combination of the comfort module and the O₂ module is not possible, since the N₂ introduction takes place via a second gas cylinder connection)
- **HYGIENE MODULE:** Electropolished, seamless laser-welded chamber
- **COMMUNICATION MODULE:** USB interface, "Celsius" standard software for programming and protocol logging, ring memory, printer port
- **CO₂ MODULE:** Extended CO₂ range from 0 to 20 %
- **PREMIUM MODULE:** Includes comfort, hygiene, communication and CO₂ module
- **HUMIDITY MODULE:** Active microprocessor humidification and dehumidification control (40 – 97 % rh). Recommended for applications with set O₂ values of less than 10 %
- **O₂ MODULE:** Control of oxygen concentration by introducing nitrogen, adjustment range from 1 % to 20 % O₂ (combination of comfort module or Premium module and O₂ module not possible, since N₂ is introduced via a second gas bottle connection). For applications with a set O₂ value of less than 10 %, the humidity module is highly recommended
- **IVF-MODULE:** Consisting of 8 slide-in units, a total of 24 special racks with indentations for 24 Petri dishes (60 mm diam.) resp. 48 Petri dishes (35 mm diam.), 6 racks with indentations for 3 special media tubes each; only for INCO108med with the options T3, K7 and F7; works calibration certificate (measuring point chamber centre) at +37 °C, 5 %, 6 % and 7 % CO₂ as well as 90 % rh; 5 % O₂ for IVF unit equipped with option T6

Homogeneity in the chamber

Heating the working chamber from all six sides along with the electronic humidity control system and turbulence-free ventilation is decisive for temperature and humidity distribution. An aluminium thermal conduction layer supports homogeneity in the chamber and serves as a heat accumulator if there is a temporary power failure.

Short recovery times thanks to active humidity control

The INCOmed standard model features a humidity limiting system to reduce water tray generated maximum relative humidity inside the chamber from 97 % down to 88 %. To achieve an increase in usable volume, optimum hygiene and short recovery times after opening the door, the optional humidity module, an active humidification system with an adjustment range of 40 % to 97 % rh can be integrated, introducing sterile hot steam into the air stream.



CO₂ INCUBATORS INCOmed

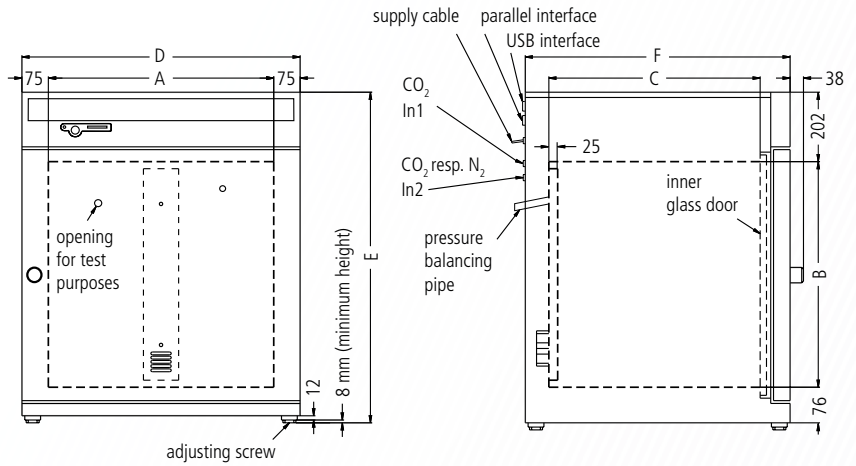
with automatic sterilisation (with all interior fittings incl. humidity and CO₂ sensor sterilised inside the CO₂ incubator!)

according to DIN 12880:2007-05, EN 61010-1 (IEC 61010-1), 61010-2-010



Standard equipment

- Interior: Stainless steel, material 1.4301 (ASTM 304), deep-drawn
- Internals: Perforated stainless steel shelves (size 108: 2, sizes 153/246: 3); stainless steel water dishes (sizes 108/153: 1 full width, size 246: 2 half width)
- Housing: Textured stainless steel, rear zinc-plated steel, aesthetic functional glass-stainless steel operating panel with multifunction display and input module; fully insulated heated stainless steel door and inner glass door
- Connection: Mains cable with plug (German type)
- Installation: 4 adjustable feet
- Interfaces: Optional with Communication resp. Premium module



Model sizes/Description			108	153	246
Stainless steel interior	Volume	approx. l	108	153	246
	Width	(A) mm	560	480	640
	Height	(B) mm	480	640	640
	Depth (less 25 mm for fan)	(C) mm	400	500	600
	Provision for grids or shelves half width / full width	number	- / 4	- / 6	2 x 6 / 6
Stainless steel exterior	Width	(D) mm	710	630	790
	Height (variable through adjustable feet)	(E) mm	778	938	938
	Depth (without door handle, depth of door handle 38 mm)	(F) mm	550	650	750
	Fully insulated, heated stainless steel door			<input type="checkbox"/>	
	Extra internal glass door			<input type="checkbox"/>	
Ventilation	Uniform atmosphere and temperature distribution through enclosed non-turbulent ventilation system, fully covered by the sterilisation process			<input type="checkbox"/>	
Temperature	Electronic microprocessor temperature controller with Pt100 and auto-diagnostic system			<input type="checkbox"/>	
	Temperature sensors Pt100 Class A in 4-wire circuit for uninterrupted operation on failure of one Pt100 with warning indication			double	
	Temperature range (during sterilisation the temperature is fixed at +160 °C – set value)	°C	+20 (at least 8 above ambient) to +50		
	Temperature fluctuations with time (to DIN 12880:2007-05)	K	≤ ± 0.1		
	Temperature variation in chamber at +37 °C (to DIN 12880:2007-05)	K	≤ ± 0.3		
Sterilisation	STERICard for automatic chamber sterilisation cycle 4 h at +160 °C (not for sterilising the load)			<input type="checkbox"/>	
CO ₂	Digital electronic CO ₂ control with autozero, NDIR system, with auto-diagnostic system and acoustic fault indication, barometric pressure compensation			<input type="checkbox"/>	
	Setting accuracy / Adjustment range	% CO ₂	0.1 / 0 to 10		
Humidity	Capacitive humidity sensor (sterilisable)			<input type="checkbox"/>	
	Standard water dishes	number	1		2
	Adjustable humidity limit control (88 – 97 %) incl. digital indication and auto-diagnostic system with visual and acoustic fault indication (air supply via sterile filter) ensures rapid reaching of set humidity and short recovery times while avoiding condensate formation			<input type="checkbox"/>	
Monitor	Microprocessor temperature monitor acting as overtemperature protection (protection class 3.1), with Pt100 incorporating fault diagnostics with visual and audible alarm			<input type="checkbox"/>	
	Digital over- and undertemperature monitor			<input type="checkbox"/>	
	Temperature monitoring band automatically linked to the setpoint (ASF)			<input type="checkbox"/>	
	Relay for reliable heating cut-off in case of fault			<input type="checkbox"/>	
	Mechanical temperature limiter (TB)			<input type="checkbox"/>	
	Audible alarm: Over- and undertemperature, over-CO ₂ and empty gas cylinder, open door, underhumidity and empty water tank (with optional Humidity module)			<input type="checkbox"/>	

Model sizes/Description		108	153	246	
Timer functions	Real-time/weekly programmer with group function (e.g. Monday – Friday)		□		
Setup	Calibration (no separate PC required), Temperature: 3-point calibration on controller, CO ₂ : 3-point calibration at 5 %, 7 % and 10 %, Auto-zero-function of NDIR CO ₂ -sensor after every sterilisation and cyclically every 24 h, Humidity: 2-point calibration at 20 % and 90 %		□		
	Setting of language for dialogue and display DE / EN / ES / FR / IT		□		
Further data	Electrical load at 230 V, 50/60 Hz	approx. W	1000	1500	2000
Standard accessories	Perforated stainless steel shelves (full width)	number	2	3	
	Stainless steel water dishes, 40 mm high	number	1 (full width)		2 (half width)
	Works calibration certificate (measuring point chamber centre at +37 °C)			□	
Packing data	Net weight/Gross weight (packed in carton)	approx. kg	70/95	80/106	110/132
	Width/Height/Depth	approx. cm	83/105/80	83/130/80	93/114/93
Order No. CO₂ Incubators			INC108med	INC153med	INC246med
Options		108	153	246	
Comfort module: two gas connections with quick release connectors, automatic switch-over of gas cylinders			T1		
Hygiene module: electropolished interior, seamlessly welded by laser			T2		
Communication module: USB and printer interface, "Celsius" standard software, ring memory			T3		
CO₂ module: extended CO ₂ range from 0 to 20 %			T4		
Premium module: includes Comfort, Hygiene, Communication and CO ₂ module			T5		
Humidity module: active microprocessor control for humidifying and dehumidifying (40 – 97 % rh), incl. digital indication and auto-diagnostic system ensures even more rapid reaching of set humidity and very short recovery times while avoiding condensate formation; recommended for applications with set O ₂ values of less than 10 %. Humidity supply with distilled water (from an external tank) by a self-priming pump (standard humidity limit control and water dishes are omitted)			K7		
O₂ module: control of oxygen concentration by N ₂ inlet; adjustment range 1 % up to 20 % O ₂ ; setting accuracy 0.1 %. (Combination of comfort module or Premium module and O ₂ module not possible). For applications with a set O ₂ -value of less than 10 %, the humidity module is highly recommended			T6		
IVF-module: consisting of 8 slide-in units, a total of 24 special racks with indentations for 24 Petri dishes (60 mm diam.) resp. 48 Petri dishes (35 mm diam.), 6 racks with indentations for 3 special media tubes each; only for INCO108med with the options T3, K7 and F7; works calibration certificate (measuring point chamber centre) at +37 °C, 5 %, 6 % and 7 % CO ₂ as well as 90 % rh; 5 % O ₂ for IVF unit equipped with option T6		C1		–	
Entry port (silicone), 40 mm clear diameter, for introducing connections, moisture tight, can be closed by silicone stopper, at the back, either centre right or centre left (please, state location)			F7		
4-part partitioning of interior with 4-part gas baffle (replacement of 3 full-width shelves by 6 half-width shelves)			–	K4	
Voltage 115 V, 50/60 Hz			X2		
Door hinged on the left			B8		
Stacking version for 2 units of equal size (bottom unit modification)			G3		
Potential-free contact (24 V/2 A) with socket to NAMUR NE 28 for external monitoring (setpoint temperature / CO ₂ reached)			H5		
Works calibration certificate for 5 %, 7 % and 10 % CO ₂ (measured at +37 °C)			D00106		
Start-up of INCOMed incubators and brief training (D, A, CH only), through MEMMERT service			K9		
Accessories		108	153	246	
Additional perforated stainless steel shelf, full width		B00325	B00321	B03813	
Additional perforated stainless steel shelf, half width			–	B02742	
Additional stainless steel grid, full width		E20165	E20166	E29766	
Additional water dish (half width model 246)		B02787	B02784	B02786	
Subframe (622 mm high)		B02792	B02732	B02793	
Subframe (130 mm high for 2 stacked incubators)		B02794	B02740	B02795	
HEPA-filter for chamber according to EN 1822, packed in sterile condition, incl. fixing unit			B04459		
STERICard (additional or as replacement) for automatic chamber sterilisation cycle (not for sterilising load)			E04337		
CO ₂ pressure reducing valve to DIN 8546, incl. gas cylinder monitor			E02087		
N ₂ pressure reducing valve to DIN EN ISO 2503, incl. gas cylinder for O ₂ module			E06162		
CO ₂ connection set, hose with coupling and clamp			B03881		
Central water supply, with filter cartridges for connection to the domestic water supply (only for demineralised water in accordance with VDE 0510/DIN EN 50272), only in combination with humidity module. Product information on demand			ZWVR6		
Central water supply, without filter cartridges for connection to the domestic water supply (only for demineralised water in accordance with VDE 0510/DIN EN 50272), only in combination with humidity module. Product information on demand			ZWVR7		
Guarantee extension by 1 year			GA2Q5		
Celltron benchtop shaker (accessories upon request)			E06724		

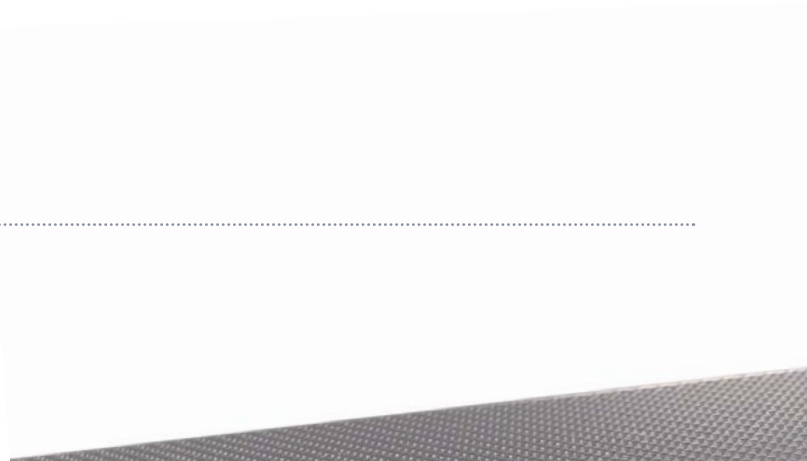
Further options/accessories see pages 24 - 26



Compressor-cooled incubator ICP
with TwinDISPLAY
AtmoCONTROL software

Model size: 55
0 °C to +60 °C
Model sizes: 110 / 260 / 450 / 750
-12 °C to +60 °C

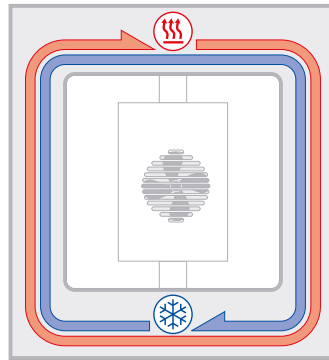
COMPRESSOR-COOLED INCUBATOR ICP Ideal at temperatures around zero and below! If rapid and precise alternation between heating up and cooling down times in ramp operation is required, cooled incubators with compressor cooling prove to be in peak form – yet still work extraordinarily quiet. Due to the finely adjusted control technology, temperatures exactly reach the set point values without energy-intensive bursts of power.





Completely enclosed working chamber

Cooling and heating units are situated outside the working chamber inside the air jacket temperature control system surrounding the entire chamber interior ensuring quick and precise temperature control. The motor-driven forced air circulation, adjustable in 10 % steps via the ControlCOCKPIT ensures optimum temperature distribution.



ICP air jacket temperature control system

Integrated energy saving function

The cooling unit works extremely energy-efficiently, as there is no continuous heating against cooling. An intelligent DEFROST function enables defrosting as required.



COMPRESSOR-COOLED INCUBATORS ICP

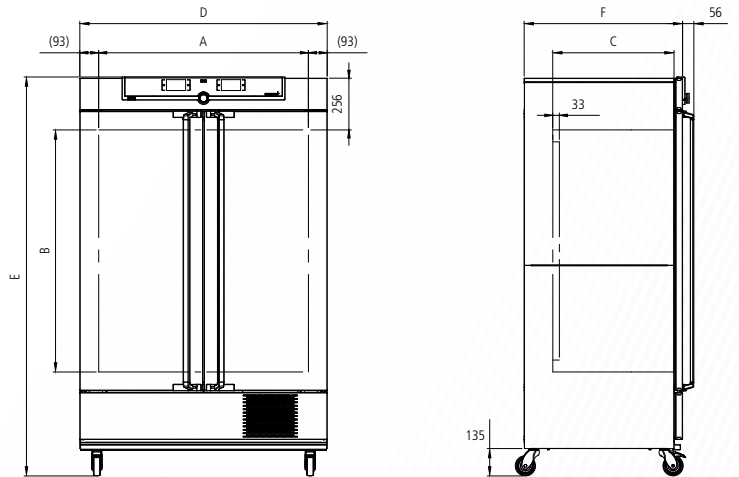
according to DIN 12880:2007-05, EN 61010-1 (IEC 61010-1), 61010-2-010



Standard equipment

- Interior: Stainless steel, material 1.4301 (ASTM 304)
- Internals: Stainless steel grids (size 55: 1 grid, sizes 110 to 750: 2 grids)
- Housing: Textured stainless steel, rear zinc-plated steel, intuitively operated TwinDISPLAY (TFT colour display) with touchscreen; fully insulated stainless steel door (from size 450 two leaves)
- Connection: Mains cable with plug (German type)
- Installation: mounted on lockable castors
- Interfaces:

Ethernet <input type="checkbox"/> LAN <input type="checkbox"/>	USB
---	-------------



Model sizes/Description			55	110	260	450	750
Stainless steel interior	Volume	approx. l	53	108	256	449	749
	Width	(A) mm	400	560	640	1040	1040
	Height	(B) mm	400	480	800	720	1200
	Depth (less 33 mm for fan)	(C) mm	330	400	500	600	600
	Stainless steel grids (standard equipment)	number	1	2			
	Max. number of grids/shelves	number	4	5	9	8	14
	Max. loading per grid/shelf	kg		20		30	
	Max. loading of chamber	kg	80	150	200		
Textured stainless steel exterior	Width	(D) mm	585	745	824	1224	1224
	Height (with castors)	(E) mm	1153	1233	1552	1613	1950
	Depth (without door handle), door handle + 56 mm	(F) mm	514	584	684	784	784
Further data	Electrical load at 230/115 V, 50/60 Hz	approx. W	1200				
	Working-temperature range (not suitable for long-term storing at sub-zero temperatures. During permanent operation, the glass door may ice over)	°C	-12 to +60 (ICP 55 0 to +60)				
	Setting temperature range	°C	-12 to +60 (ICP 55 -5 to +60)				
	Setting accuracy	°C	0.1				
Packing data	Net weight	approx. kg	89	113	157	217	249
	Gross weight (packed in carton)	approx. kg	111	141	214	282	319
	Width	approx. cm	76	88	93	133	133
	Height	approx. cm	133	141	176	170	215
	Depth	approx. cm	68	81	93	105	105

Order No. Compressor-Cooled Incubators	ICP55	ICP110	ICP260	ICP450	ICP750

Options	55	110	260	450	750
Voltage 115 V, 50/60 Hz			X2		
Chamber modification for the application of reinforced perforated stainless steel shelves or stainless steel grids (bearing rails mounted in the working chamber) – includes replacement of 2 standard grids by 2 reinforced grids		–		K1	
Interior socket, ampacity 230 V/2.2 A, can be switched off with the On/Off switch, cannot be switched individually, moisture tight IP68			R3		
Entry port, 23 mm clear diameter, for introducing connections at the side, can be closed by flap, standard positions			left centre/centre left centre top right centre top	F0 F1	F3
Entry port (silicone), 40 mm clear diameter, for introducing connections, moisture tight, can be closed by silicone stopper, at the back (please, state location)				F7	
4 – 20 mA current loop interface (-20 to +70 °C \pm 4 to 20 mA)			Temperature controller, actual value Temperature of a Pt100 sensor positioned flexibly in chamber for external temperature monitoring (max. 3 TwinDISPLAY)	V3 V6	
Fan speed monitoring with switching off the heating and with alarm in case of failure				V4	
Works calibration certificate for 3 temperatures: 0 °C, +37 °C, +60 °C Standard works calibration certificate (measuring point chamber centre) at +10 °C and +37 °C				D00130	

Accessories	55	110	260	450	750
Stainless steel grid (standard equipment)	E20164	E20165	E28891		E20182
Additional reinforced stainless steel grid, max. loading 60 kg; from size 450 with guide bars and fixing screws (only in connection with option K1)	–	E29767	E29766		B32190
Perforated stainless steel shelf	B03916	B00325	B29725		B00328
Additional reinforced stainless steel shelf, max. loading 60 kg; with guide bars and fixing screws (only in connection with option K1)		–			B32191
Stainless steel slide-in drip tray, 15 mm rim (may affect the temperature distribution) – cannot be used in connection with option K1	E02072	E02073	E29726		E02075
Max. loading per slide-in drip tray (kg)	1.5	3	4		8
Stainless steel bottom drip tray, 15 mm rim (may affect the temperature distribution) – cannot be used in connection with option K1	B04358	B04359	B29722		B04362
Max. loading per bottom drip tray (kg)	1.5	3	4		8



Peltier-cooled incubator IPP with SingleDISPLAY
Peltier-cooled incubator IPPplus with TwinDISPLAY
AtmoCONTROL software

Model sizes: 30 / 55 / 110 / 260 / 750
0 °C to +70 °C

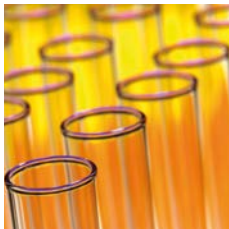
PELTIER-COOLED INCUBATOR IPP Heating and cooling seamlessly with one system thanks to Peltier technology. In this respect, cooled incubators IPP not only contribute to climate protection, but it also achieves an additional decrease in operating costs of up 90 % compared to compressor technology. This perfect development from the environmentally friendly and energy-saving heating/cooling technology by Memmert convinces by outstanding control precision and extremely small fluctuations.





Extremely quiet and vibration-free

The fact that no compressor is required saves space and brings peace and quiet to the laboratory. As Peltier-cooled incubators IPP are almost vibration-free, they can also be applied in entomology. If defined humidity is also required, an alternative would be the constant climate chamber HPP, which is also equipped with Peltier technology.



No condensation in the interior chamber

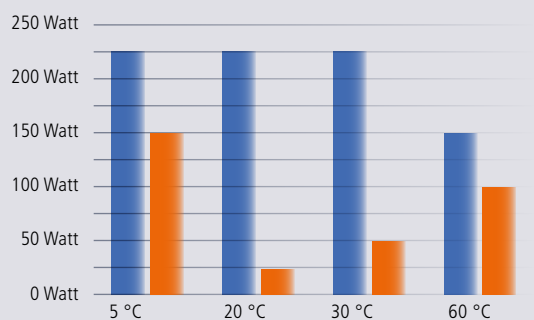
Due to the closed Peltier cooling system, no outside air is exchanged. Physically derived, unavoidable formation of condensation during the cooling process does not take place in the interior chamber but on the outside heat sink. In addition, the in the Peltier elements integrated fans ensure a rapid transport of energy as well as an optimal temperature distribution.

Energy-saving heating/cooling technology combination

In contrast to compressor systems, Peltier technology is particularly economical at temperatures close to the ambient temperature, since energy is only required during heating or cooling. Therefore heating and cooling function are particularly precisely adjusted to each other.

Comparison compressor technology and Peltier technology

Reduction in energy consumption up to 90 %



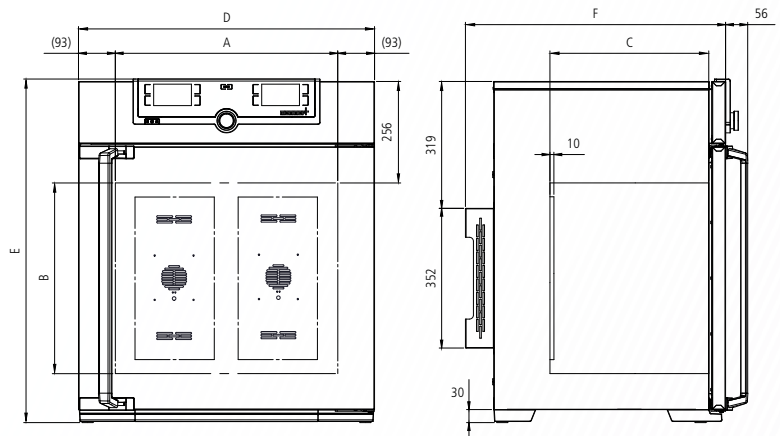
PELTIER-COOLED INCUBATORS IPP

according to DIN 12880:2007-05 , EN 61010-1 (IEC 61010-1), 61010-2-010



Standard equipment

- Interior: Stainless steel, material 1.4301 (ASTM 304), deep-drawn
- Internals: Stainless steel grids (sizes 30 and 55: 1, sizes 110 to 750: 2)
- Housing: Textured stainless steel, rear zinc-plated steel, intuitively operated SingleDISPLAY or TwinDISPLAY (TFT colour display) with touchscreen
- Double doors: Outside stainless steel, fully insulated, inside glass (size 750 two-leaves)
- Connection: Mains cable with plug (German type)
- Installation: 4 feet; size 750 mounted on lockable castors
- Interfaces: Ethernet LAN USB (only TwinDISPLAY)



Number of Peltier elements in the rear:
 Sizes 30 to 55: 1
 Size 110: 2
 Size 260: 3
 Size 750: 6

Model sizes/Description			30	55	110	260	750
Stainless steel interior	Volume	approx. l	32	53	108	256	749
	Width	(A) mm	400	400	560	640	1040
	Height	(B) mm	320	400	480	800	1200
	Depth (less 10 mm for fan – Peltier)	(C) mm	250	330	400	500	600
	Stainless steel grids (standard equipment)	number	1		2		
	Max. number of grids/shelves	number	3	4	5	9	14
	Max. loading per grid/shelf	kg	20				30
	Max. loading of chamber	kg	60	80	150	200	
Textured stainless steel exterior	Width	(D) mm	585	585	745	824	1224
	Height (size 750 with castors)	(E) mm	704	784	864	1183	1726
	Depth (without door handle), door handle + 56 mm	(F) mm	524	604	674	774	874
Further data	Electrical load at 230/115 V, 50/60 Hz	approx. W	160	275	650	820	1200
	Working-temperature range without light	°C	0 (at least 20 below ambient temperature) to +70				
	Working-temperature range with light	°C	+10 to +40				
	Setting temperature range	°C	0 to +70				
	Setting accuracy	°C	0.1				
Packing data	Net weight	approx. kg	40	52	78	114	230
	Gross weight (packed in carton)	approx. kg	56	71	103	165	301
	Width	approx. cm	66	73	83	93	133
	Height	approx. cm	89	95	105	138	191
	Depth	approx. cm	65	67	80	93	105

Order No. Peltier-Cooled Incubators

IPP = Peltier-Cooled Incubators
 plus = Model with TwinDISPLAY

IPP30	IPP55	IPP110	IPP260	IPP750
IPP30plus	IPP55plus	IPP110plus	IPP260plus	IPP750plus

Options	30	55	110	260	750
Voltage 115 V, 50/60 Hz	X2				
Chamber modification for the application of reinforced perforated stainless steel shelves or stainless steel grids (bearing rails mounted in the working chamber) – includes replacement of 2 standard grids by 2 reinforced grids	–				K1
Light module cold white 6,500 K: light strips arranged on the side walls of the interior, 10 strips for model 110, 14 for model 260/750, programme-controlled dimming from 0 to 100 % (in 1 % steps), ramp programming in combination with temperature (only with TwinDISPLAY)	–		T7		
Light module cold white 6,500 K + warm white 2,700 K: LED light strips – 10 strips for model 110, 14 for models 260/750 – (5 resp. 7 alternating cold white light strips and 5 resp. 7 warm white light strips) on the side walls of the interior, programme-controlled dimming from 0 to 100 % (in 1 % steps), ramp programming in combination with temperature (only with TwinDISPLAY)	–		T8		
Light module warm white 2,700 K: light strips arranged on the side walls of the interior, 10 strips for model 110, 14 for model 260/750, programme-controlled dimming from 0 to 100 % (in 1 % steps), ramp programming in combination with temperature (only with TwinDISPLAY)	–		T9		
Interior socket, ampacity 230 V/2.2 A, can be switched off with the On/Off switch, cannot be switched individually, moisture tight IP68	R3				
Entry port, 23 mm clear diameter, for introducing connections, can be closed by flap, standard positions (not for appliances with light module)	left centre/centre left centre top right centre/centre right centre top		F0 F1 F2 F3		
Entry port, 23 mm clear diameter for introducing connections, can be closed by flap (please, state location)	left right rear		F4 F5 F6		
Entry port, 14 mm clear diameter, can be closed by flap, in special positions in the back wall (please, state location)	D6				
Entry port, 38 mm clear diameter, can be closed by flap, in special positions in the back wall (please, state location)	F7				
4 – 20 mA current loop interface (-10 to +80 °C \pm 4 – 20 mA)			Temperature controller, actual value Temperature of a Pt100 sensor positioned flexibly in chamber for external temperature monitoring (max. 1 SingleDISPLAY, max. 3 TwinDISPLAY)		V3 V6
Works calibration certificate for 3 temperatures: +5 °C, +37 °C, +60 °C Standard works calibration certificate (measuring point chamber centre) at +10 °C and +37 °C	D00129				

Accessories	30	55	110	260	750
Stainless steel grid (standard equipment)	E28884	E20164	E20165	E28891	E20182
Additional reinforced stainless steel grid, max. loading 60 kg; size 750 with guide bars and fixing screws (only in connection with option K1)	–		E29767	E29766	B32190
Perforated stainless steel shelf	B29727	B03916	B00325	B29725	B00328
Additional reinforced stainless steel shelf, max. loading 60 kg; with guide bars and fixing screws (only in connection with option K1)	–				B32191
Stainless steel slide-in drip tray, 15 mm rim (may affect the temperature distribution) – cannot be used in connection with option K1	E02070	E02072	E02073	E29726	E02075
Max. loading per slide-in drip tray (kg)	1.5		3	4	8
Stainless steel bottom drip tray, 15 mm rim (may affect the temperature distribution) – cannot be used in connection with option K1	B04356	B04358	B04359	B29722	B04362
Max. loading per bottom drip tray (kg)	1.5		3	4	8
Guarantee extension by 1 year	GA1Q5			GA2Q5	



Storage cooled incubator IPS
with SingleDISPLAY
AtmoCONTROL software

Model sizes: 260 / 750
+14 °C to +45 °C

STORAGE COOLED INCUBATOR IPS Save energy and reduce the strain on the climate at the same time! If microbiological cultures, BOB5 samples, drinks containers or cosmetics need to be stored over a long period at constant temperatures, storage cooled incubators IPS with energy-efficient Peltier technology are the perfect choice: absolute reliability, precision, durability and eco-friendliness.





Considerable potential for savings in acquisition and operating costs

Temperature changes are not always necessary for long-term storage or incubating. So why design heating, cooling and controlling systems for rapid heating up and cooling down times? The performance of the IPS was tailor-made for permanent operation at constant temperatures close to room temperature. The advantage: Acquisition costs and operating costs are considerably reduced in comparison to conventional cooled incubators with compressor technology, as well as to a large Peltier-cooled incubator.



Ideal for high ambient temperatures

Thanks to Peltier elements integrated for cooling the working chamber, the chamber load won't break into sweat even at high ambient temperatures. Constant and precise incubation at room temperature is guaranteed.



Low in vibration and durable for absolutely safe long-term storage

Like the cooled incubator IPP, the IPS offers all the advantages of Peltier technology to the user. Its interior chamber that is completely insulated from the environment minimises the risk of drying out of the samples. It is practically noise-free and not only reduces stress on the chamber load but also soothes the nerves of employees thanks to its quiet operation.



Glimpse into a Memmert storage incubator:
Peltier elements guarantee perfect climate inside the chamber.



STORAGE COOLED INCUBATORS IPS

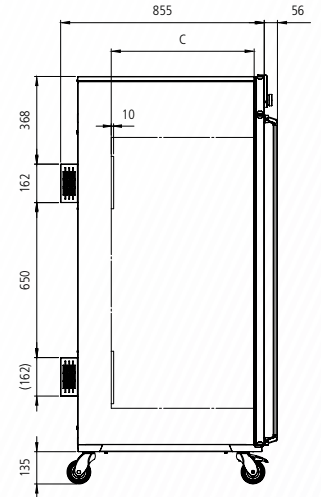
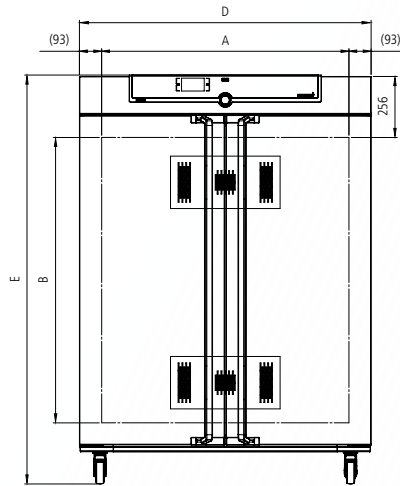
according to DIN 12880:2007-05, EN 61010-1 (IEC 61010-1), 61010-2-010



Standard equipment

- Interior: Stainless steel, material 1.4301 (ASTM 304), deep-drawn
- Internals: 2 stainless steel grids
- Housing: Textured stainless steel, rear zinc-plated steel, intuitively operated SingleDISPLAY (TFT colour display) with touchscreen
- Double doors: Outside stainless steel, fully insulated, inside glass (size 750 two leaves)
- Connection: Mains cable with plug (German type)
- Installation: 4 feet; size 750 mounted on lockable castors
- Interfaces:

- Ethernet
- LAN



Model sizes/Description			260	750
Stainless steel interior	Volume	approx. l	256	749
	Width	(A) mm	640	1040
	Height	(B) mm	800	1200
	Depth (less 10 mm for fan – Peltier)	(C) mm	500	600
	Stainless steel grids (standard equipment)	number	2	
	Max. number of grids/shelves	number	9	14
	Max. loading per grid/shelf	kg	20	30
	Max. loading of chamber	kg	300	
Textured stainless steel exterior	Width	(D) mm	824	1224
	Height (size 750 with castors)	(E) mm	1186	1726
	Depth (without door handle), door handle + 56 mm	(F) mm	774	874
Further data	Electrical load at 230/115 V, 50/60 Hz	approx. W	550	
	Working-temperature range/Setting temperature range	°C	+14 to +45	
	Setting accuracy	°C	0.1	
Packing data	Net weight	approx. kg	113	230
	Gross weight (packed in carton)	approx. kg	164	301
	Width	approx. cm	93	133
	Height	approx. cm	138	191
	Depth	approx. cm	93	105
Order No. Storage Cooled Incubators			IPS260	IPS750

Options	260	750
Voltage 115 V, 50/60 Hz		X2
Chamber modification for the application of reinforced perforated stainless steel shelves or stainless steel grids (bearing rails mounted in the working chamber) – includes replacement of 2 standard grids by 2 reinforced grids	–	K1
Interior socket, ampacity 230 V/2.2A, can be switched off with the On/Off switch, cannot be switched individually, moisture tight IP68		R3
Entry port, 23 mm clear diameter, for introducing connections at the side, can be closed by flap, standard positions	left centre/centre left centre top right centre/centre right centre top	F0 F1 F2 F3
Entry port, 23 mm clear diameter, can be closed by flap, in special positions (please, state location)	left right rear	F4 F5 F6
Entry port, 14 mm clear diameter, can be closed by flap, in special positions in the back wall (please, state location)		D6
Entry port, 38 mm clear diameter, can be closed by flap, in special positions in the back wall (please, state location)		F7
4 – 20 mA current loop interface (0 to +70 °C \pm 4 – 20 mA)	Temperature controller, actual value	V3
Temperature of a Pt100 sensor positioned flexibly in chamber for external temperature monitoring (SingleDISPLAY)		V6
Works calibration certificate for a freely selectable temperature value Standard works calibration certificate (measuring point chamber centre) at +18 °C and +25 °C		D00131

Accessories	260	750
Stainless steel grid (standard equipment)	E28891	E20182
Additional reinforced stainless steel grid, max. loading 60 kg; size 750 with guide bars and fixing screws (only in connection with option K1)	E29766	B32190
Perforated stainless steel shelf	B29725	B00328
Additional reinforced stainless steel shelf, max. loading 60 kg; with guide bars and fixing screws (only in connection with option K1)	–	B32191
Stainless steel slide-in drip tray, 15 mm rim (may affect the temperature distribution) – cannot be used in connection with option K1	E29726	E02075
Max. loading per slide-in drip tray (kg)	4	8
Stainless steel bottom drip tray, 15 mm rim (may affect the temperature distribution) – cannot be used in connection with option K1	B29722	B04362
Max. loading per bottom drip tray (kg)	4	8
Guarantee extension by 1 year		GA2Q5

SOFTWARE AtmoCONTROL

AtmoCONTROL

The innovative control and logging software

Parameters such as temperature and humidity as well as the process time can be set directly at the ControlCOCKPIT. Ramp programming is done via the control and logging software AtmoCONTROL, which features a completely new software design.

Drag, drop & go!

Numerical and graphic programming of complex processes is a thing of the past. Today, programming is done via AtmoCONTROL by means of the mouse or touchpad on your notebook. Even the most complex ramp programmes are created within minutes. Simply drag & drop the graphical symbols for the desired parameters to the input field and change the values according to your wishes with a mouse click.



Programme functions

SingleDISPLAY and TwinDISPLAY

- Reading out, managing and organising the data logger
- Saving the log memory in various formats
- Online monitoring of up to 32 connected appliances
- Optical alarms when the alarm limits individually set at the ControlCOCKPIT are exceeded
- Automatic alarm to one or several e-mail addresses

Additional functions

TwinDISPLAY

- Intuitive programming and archiving of ramps and programme sequences
- Synchronous visualisation of the created programme sequence during programming
- Application-specific repeat functions (loops) can be inserted within a temperature control programme in any place
- Simple creation of repeating weekly programmes
- Programming, managing and transferring programmes via Ethernet interface or USB port

SPECIAL EQUIPMENT FOR MODELS U, UF TS, UNpa, S, I, ICP, IPP, IPS, HPP, ICH

Options for models U, UF TS, UNpa, S, I, ICP, IPP, IPS, HPP, ICH	30	55	75	110	160	260	450	750	1060
Door with lock (safety lock); for models UF TS per side; standard with SN/SF and SNplus/SFplus 450 and 750							B6		
Door hinged on the left; for models UF TS per side				B8				—	
Potential-free contact (24 V/2 A) with socket to NAMUR NE 28 for external monitoring (indicates when setpoint is reached)							H5		
Potential-free contact for combination error message (e.g. supply failure, sensor fault, fuse)							H6		
Potential-free contact (24 V/2 A) with socket to NAMUR NE 28, for signal generation, controlled by programme segment, for free-selectable functions to be activated (e.g. activation of audible and visual signals, exhaust motors, fans, stirrers, etc.). Only for units with TwinDISPLAY; max. 2 contacts on 1-phase appliances; max. 4 contacts on 3-phase appliances							2 contacts 4 contacts	H72	H74
Process-dependent door lock (only for units with TwinDISPLAY); for models UF TS see page 11 of oven brochure								D4	
Door-open-recognition (only for units with TwinDISPLAY); for models UF TS per side								V5	
Flexible Pt100 for positioning in chamber or in load with socket, 4-pin, according to NAMUR NE 28, for external temperature recording (load temperature) max. 3 sensors								H4	
Flexible Pt100 temperature sensor, positioned flexibly in chamber or load, for local temperature measurement (up to 3 additional sensors are possible). The measured temperature can, if required, be indicated on the display, recorded in the integral data store, and can be documented via the AtmoCONTROL software								H8	
MobileALERT, notification by SMS in case of any error or alarm of the device. Requires option H6 "floating contact for alarm"								C3	
Temperature restriction (for UN/UF/UNplus/UFplus and models UF TS) Temperatures: +60, +70, +80, +95, +100, +120, +160, +180, +200, +220 or +250 °C (Please, indicate upon ordering)								A8	

SPECIAL EQUIPMENT FOR MODELS U, UF TS, UNpa, S, I, ICP, IPP, IPS, HPP, ICH

Accessories for models U, UF TS, UNpa, S, I, ICP, IPP, IPS, HPP, ICH	30	55	75	110	160	260	450	750	1060
USB-Ethernet adapter	E06192								
Ethernet connection cable 5 m for computer interface	E06189								
USB User-ID stick (with User-ID licence): Oven-linked authorisation licence (User-ID-programme) on Memory-stick, prevents undesired manipulation by unauthorised third parties. When reordering please specify serial number (only for units with TwinDISPLAY)	B33170								
USB stick with documentation software AtmoCONTROL and operation manual for products with SingleDISPLAY (the standard equipment of appliances with TwinDISPLAY includes one USB stick with AtmoCONTROL)	B33172								
Set of height adjustable feet (4 pcs)	B29768						–		
Stacking set (4 pcs) for stacking of appliances of same size	B29744						–		
Plug-in tube extension (outer diam. 60.3 mm, inner 57 mm), straight, for exhaust air ducting (if necessary for connection by hose), only models U, I, S not for models UF TS	B29718								
Plug-in tube extension (outer diam. 60.3 mm, inner 57 mm), angled, for exhaust air ducting (if necessary for connection by hose), only models U, I, S not for models UF TS	B29719								
Flush-fit unit (stainless steel frame covering gap between oven and wall opening), with air slots – technical clarification required	B29728	B29730	B29732	B29734	B29736	B29738	B29740	B29742	
Flush-fit unit (stainless steel frame covering gap between oven and wall opening), without air slots – technical clarification required; for models UF TS see page 11 of oven brochure	B29729	B29731	B29733	B29735	B29737	B29739	B29741	B29743	
Subframe, adjustable in height (not for models UF TS) (size 30 to 75: height 600 mm, size 110 to 450: height 500 mm)	B29745	B29747		B29749		B29751	B29753	–	
Subframe, on castors (not for models UF TS) (size 30 to 75: height 660 mm, size 110 to 160: height 560 mm)	B29746	B29748		B29750		–			
Subframe, adjustable in height (not for models UF TS) (height 130 mm, for example for units with fresh air filter)	B33657	B33659		B33661		B33664		–	
Castor frame (2-part), height 140 mm (not for models UF TS)	B33173	B33174		B33175		B33176		–	
Software conforming to FDA AtmoCONTROL. Meets the requirements for the use of electronically stored data sets and electronic signatures as laid down in Regulation 21 CFR Part 11 of the US Food and Drug Administration (FDA). Base licence for the control of one unit (only for units with TwinDISPLAY)	FDAQ1								
Integration of additional units (up to max. 15 units) into an already existent FDA-software licence (only for units with TwinDISPLAY)	FDAQ2								
IQ document with works test data for chamber, OQ/PQ check list as support for validation by customer	D00124								
IQ/OQ document with works test data for chamber, incl. temperature distribution survey for one free-selectable temperature value. 9 measuring points (size 30), 27 measuring points (sizes 55 – 1060) to DIN 12880:2007-05 (further temperature values on demand), PQ check list as support for validation by customer	D00125	D00127							
IQ/OQ document with works test data for chamber, incl. temperature distribution survey for one free-selectable temperature and humidity value. 27 measuring points to DIN 12880:2007-05, PQ check list as support for validation by customer (models HPP and ICH)	–			D00136	–	D00136	–	D00136	–
IQ/OQ document with works test data for chamber, incl. temperature distribution survey for one free-selectable temperature, humidity and light value. 27 measuring points to DIN 12880:2007-05, PQ check list as support for validation by customer (models HPP with light and ICH L)	–			D00137	–	D00137	–	D00137	–
External measuring instrument with sensors for daylight and UV-light. Product information on demand (models HPP, ICH L, IPPplus)	B04713								
Ditto with additional measuring head for temperature and humidity measurement. Product information on demand (models HPP, ICH L, IPPplus)	B04714								

SPECIAL EQUIPMENT FOR MODELS VO, VOcool, INCOmed, HCP, TTC, CTC

Options for models VO, VOcool, INCOmed, HCP, TTC, CTC	Sizes: 200 / 400 / 500 108 / 153 / 246 256
Interface Ethernet instead of USB including software	W4
RS232 interface instead of USB	W6
Computer interface RS485 (for networking a max. of 16 ovens) instead of RS232	V2
Door with lock (safety lock, not available for VO, VOcool, TTC/CTC)	B6
Flexible Pt100 for positioning in chamber or in load with socket, 4-pin, according to NAMUR NE 28, for external temperature recording (load temperature)	H4
Additional Pt100 temperature sensor, positioned flexibly in chamber or load, for local temperature measurement (up to 3 additional sensors are possible). The measured temperature can, if required, be indicated on the multifunction display, recorded in the integral ring store, and can be documented via the "Celsius" software or on an attached printer. (Not available for VO, VOcool, TTC and CTC)	H8
Potential-free contact (24 V/2 A) with socket, according to NAMUR NE 28 for external monitoring (indicates when setpoint is reached)	H5
Potential-free contact (24 V/2 A), with socket, according to NAMUR NE 28 for combination error message (e.g. supply failure, sensor fault, fuse)	H6
Potential-free contact (24 V/2 A), with socket, according to NAMUR NE 28, triple, for signal generation, controlled by programme segment for a total of 3 freely selected functions to be activated (e.g. acoustic and visual signals, exhaust motors, fans, stirrers etc.)	H7
MobileALERT, notification by SMS in case of any error or alarm of the device. Requires option H6 "floating contact for alarm"	C3

Accessories for models VO, VOcool, INCOmed, HCP, TTC, CTC	Sizes: 200 / 400 / 500 108 / 153 / 246 256
USB connection cable for computer interface	E03643
Parallel/USB converter cable with integrated power supply unit to connect HP printers with USB interface to MEMMERT units	E05300
Documentation package consisting of parallel USB converter cable including PCL3-compatible HP colour inkjet printer with USB interface (HP OfficeJet 6000 or successor) for direct connection of printer to Memmert unit	B04432
Temperature profile write/read unit for programming via PC, for writing to and reading from the chip card, up to 40 ramps	E05284
Additional chip card, blank, formatted (32 kB MEMoryCard XL for a maximum of 40 ramps). Not available for INCOmed models	E04004
Oven-linked authorisation card (User-ID-Card) prevents undesired manipulation by unauthorised third parties. When reordering please specify serial number	E04159
Software conforming to FDA "Celsius FDA Edition". Meets the requirements for the use of electronically stored data sets and electronic signatures as laid down in Regulation 21 CFR Part 11 of the US Food and Drug Administration (FDA). Base licence for the control of one unit	E05019
Integration per additional unit (up to max. 15 units) into an already existent FDA-software licence (E05019)	FDAQ4
IQ check list with works test data for chamber as support for validation by customer	D00103
OQ check list with works test data for one free-selectable temperature value incl. temperature distribution survey for 27 measuring points to DIN 12880:2007-05 as support for validation by customer	D00104
OQ check list with works test data for one free-selectable temperature value incl. temperature distribution survey for 5 measuring points to DIN 12880:2007-05 as support for validation by customer valid for one thermoshelf; ditto for further thermoshelves VO on demand (VO and VOcool only)	D00117
OQ check list with works test data for one free-selectable humidity and temperature value incl. temperature distribution survey for 27 measuring points to DIN 12880:2007-05 as support for validation by customer (models HCP and CTC)	D00104
OQ check list with works test data for one free-selectable CO ₂ , humidity and temperature value incl. temperature distribution survey for 27 measuring points to DIN 12880:2007-05 as support for validation by customer (models INCOmed)	D00104
External measuring instrument with sensors for daylight and UV-light, with additional measuring head for temperature and humidity. Product information on demand (models INCOmed and HCP)	B04714

MODEL VARIANTS

SingleDISPLAY ControlCOCKPIT with one TFT display	TwinDISPLAY ControlCOCKPIT with two TFT displays
<p>AVAILABLE APPLIANCES</p> <p>UN / UF / IN / IF / SN / SF / IPP / IPS</p>	<p>AVAILABLE APPLIANCES</p> <p>UNplus / UFplus / UF TS / UNpa / INplus / IFplus / SNplus / SFplus IPPplus / ICP / HPP / ICH</p>
<p>One high-resolution TFT colour display with touch-sensitive buttons for selection of functions</p>	<p>Two high-resolution TFT colour displays with touch-sensitive buttons for selection of functions</p>
<p>Available parameters on the ControlCOCKPIT: Temperature (Celsius or Fahrenheit), fan speed, exhaust air flap position, programme time</p>	<p>Available parameters on the ControlCOCKPIT: Temperature (Celsius or Fahrenheit), fan speed, exhaust air flap position, programme time, relative humidity, illumination, CO₂</p>
<p>One temperature sensor Pt100 DIN class A in a 4-wire circuit</p>	<p>Two Pt100 sensors DIN class A in a 4-wire circuit for mutual monitoring, taking over functions in case of an error</p>
	<p>HeatBALANCE function for application specific adjustment of heat output distribution (balance) between the upper and lower heating groups in an adjustment range between -50 % and +50 % (not valid for models 30, HPP110, IPP110plus, ICP, ICH)</p>
<p>AtmoCONTROL software for reading out, managing and organising the data logger via Ethernet interface (temporary trial version can be downloaded). USB stick with AtmoCONTROL software available as accessory (on demand)</p>	<p>AtmoCONTROL software on a USB stick for programming, managing and transferring programmes via Ethernet interface or USB port</p>
	<p>ControlCOCKPIT with USB port for uploading programmes, reading out protocol logs, activating the User-ID function</p>
	<p>Displaying of already logged protocol data on the ControlCOCKPIT (max 10,000 values correspond to approx. 1 week)</p>
<p>Ethernet interface on the rear of the appliance for reading out the protocol log and for online logging</p>	<p>Ethernet interface on the rear of the appliance for reading out the protocol log and for uploading programmes and for online logging</p>
<p>Double overtemperature protection: Electronic temperature monitoring with freely adjustable monitoring temperature, for models U, I, S with option A6 TWW/TWB (protection class 3.1 or 2), mechanical temperature limiter TB acc. to DIN 12880</p>	<p>Multiple overtemperature protection: Electronic temperature monitoring TWW/TWB (protection class 3.1 or 2 resp. 3.3 for units with active cooling) and mechanical temperature limiter TB (protection class 1) acc. to DIN 12880, AutoSAFETY automatically adjusts to the set value within a freely adjustable tolerance range. Setting individual MIN / MAX values for over/undertemperature alarm and also for all other parameters such as relative humidity, CO₂</p>
<p>PID microprocessor control with integrated auto-diagnostic system</p>	
<p>Structured stainless steel housing, scratch-resistant, robust and durable; rear of zinc-plated steel</p>	
<p>High-temperature connectors on the rear of the appliance for single-phase power connection according to country specific systems and IEC standards</p>	
<p>Internal data logger with a storage capacity of at least 10 years</p>	
<p>German, English, French, Spanish language settings available on the ControlCOCKPIT</p>	
<p>Digital backwards counter with target time setting, adjustable from 1 minute to 99 days</p>	
<p>The SetpointWAIT function guarantees that the process time does not start until the set temperature is reached at all measuring points – optional for temperature values recorded by the freely positionable Pt100 sensors inside the chamber</p>	
<p>Adjustment of three calibration values for temperature and additional appliance specific parameters directly at the ControlCOCKPIT</p>	



memmert
Experts in Thermostatics

HEATING AND DRYING OVENS

UNIVERSAL OVEN U

PASS-THROUGH OVEN UF TS

PARAFFIN OVEN UNpa

STERILISER S

VACUUM OVEN VO

COOLED VACUUM OVEN VOcool

INCUBATORS

INCUBATOR I

CO₂ INCUBATOR INCOmed

COMPRESSOR-COOLED INCUBATOR ICP

PELTIER-COOLED INCUBATOR IPP

STORAGE COOLED INCUBATOR IPS

CLIMATE CHAMBERS

CONSTANT CLIMATE CHAMBER HPP

HUMIDITY CHAMBER HCP

CLIMATE CHAMBER ICH

ENVIRONMENTAL TEST CHAMBER CTC/TTC

WATERBATHS / OILBATHS

WATERBATH W

OILBATH O